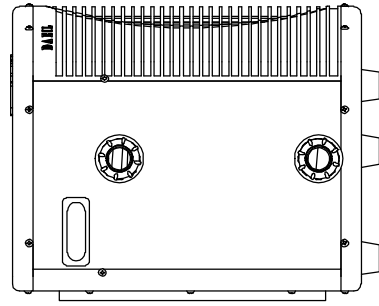
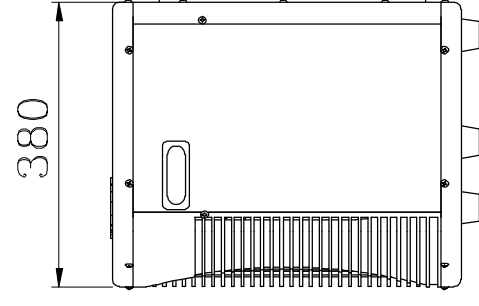
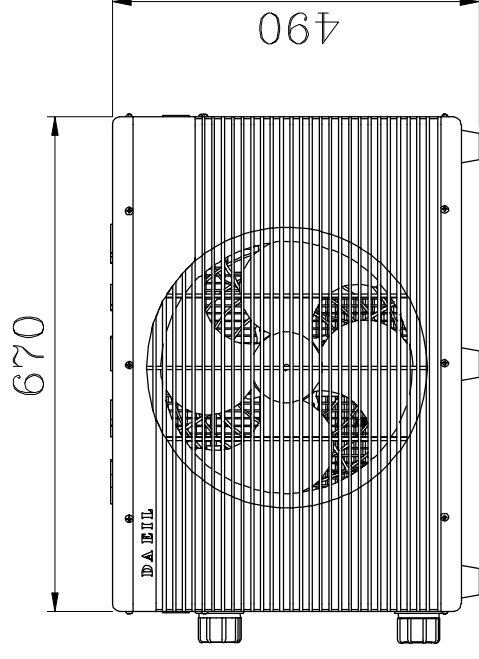
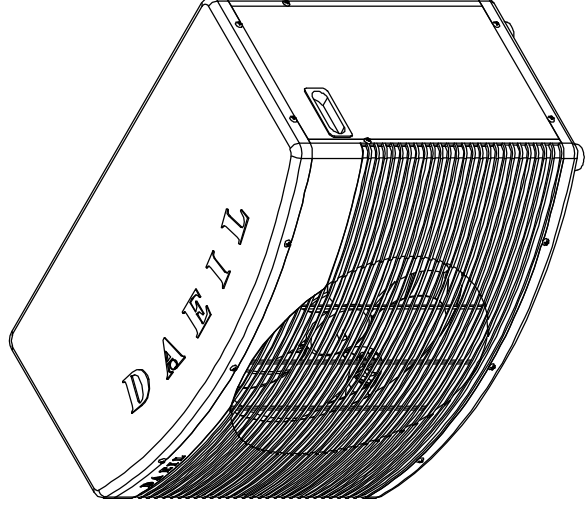
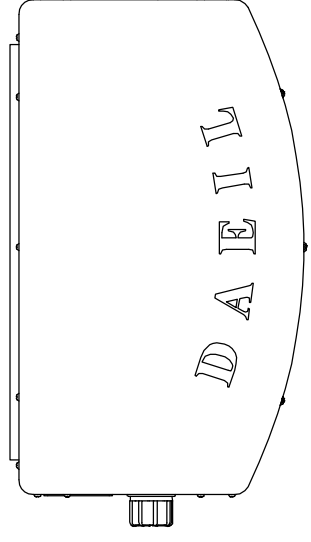
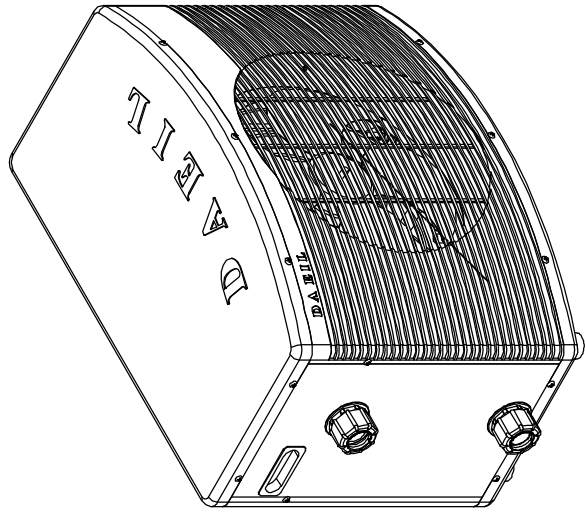
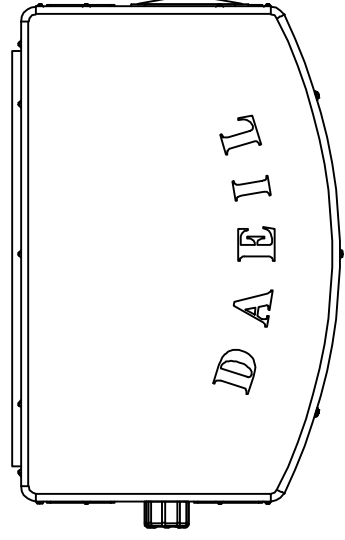


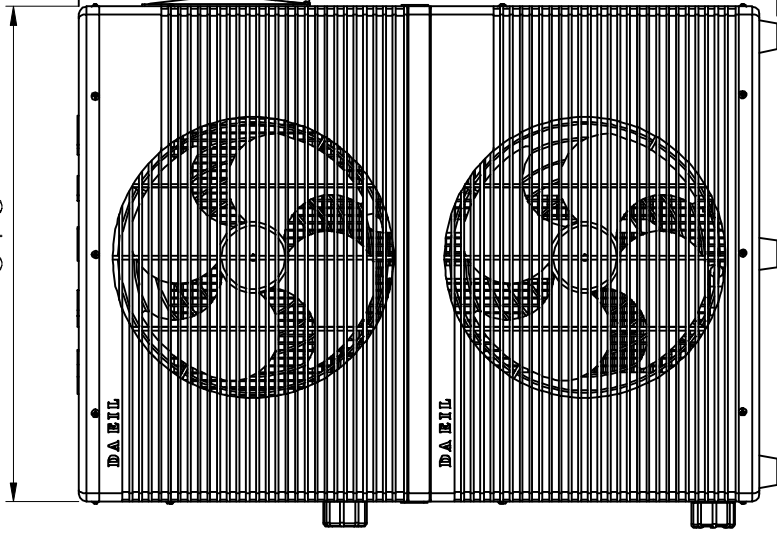
▲	Sign	Modified Item	Date	Name
		SEA WATER CHILLER OUTLINE		
	Title	DA-500		
	Name of Drawing			
	Scale	1 : 1	Req. Q'ty	DWG. NO
		Designed by	Drawn by	Checked by
	Name			Approved by
	Date			



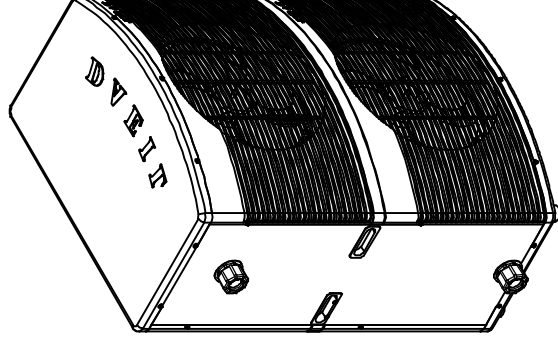
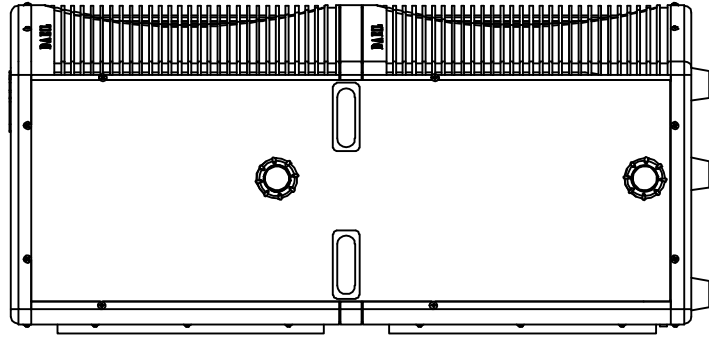
Sign	Modified Item	Date	Name
	SEA WATER CHILLER OUTLINE		
	DA-1000/1500		
	1 : 1	Req. Q'ty	DWG. NO
	Designed by	Drawn by	Checked by
			Approved by



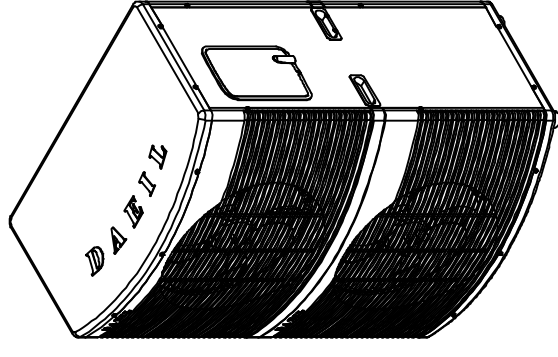
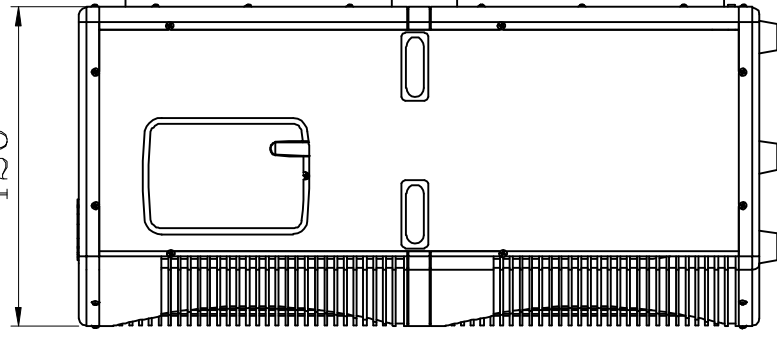
670



940



420

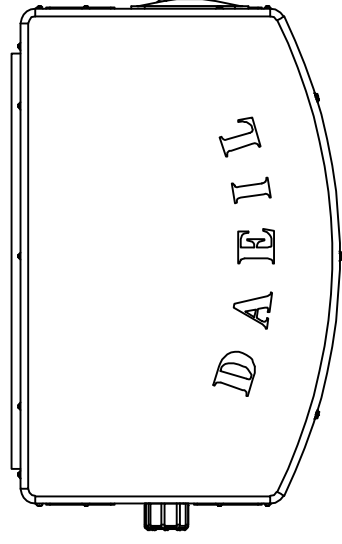


A	Sign	Modified Item	Date	Name
	SEA WATER CHILLER OUTLINE			
Title		DA-2000/3000		
Name of Drawing		1 : 1		
Scale		Req. Q'ty	DWG. NO	
Designed by		Drawn by	Checked by	
Name		Approved by		
Date				

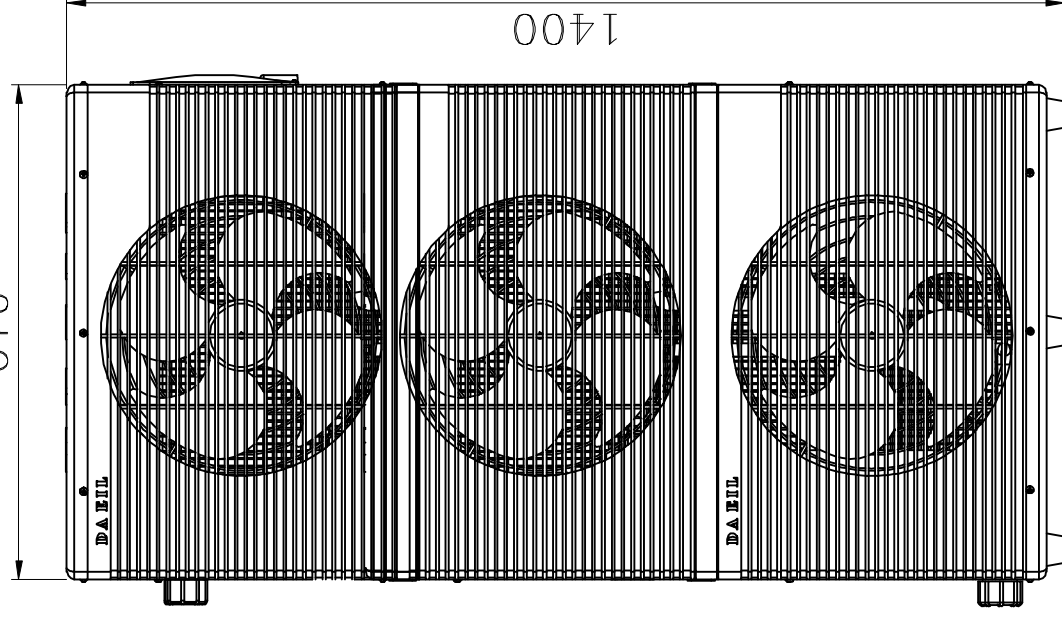


DAEIL Co., Ltd.

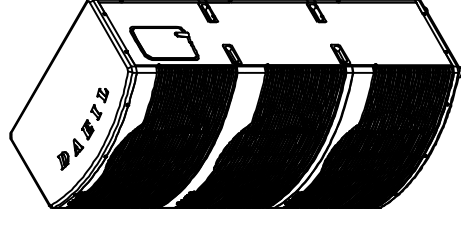
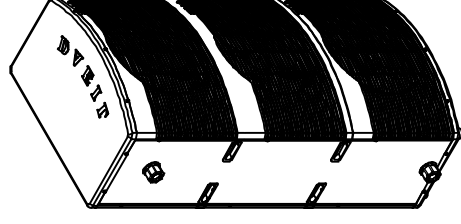
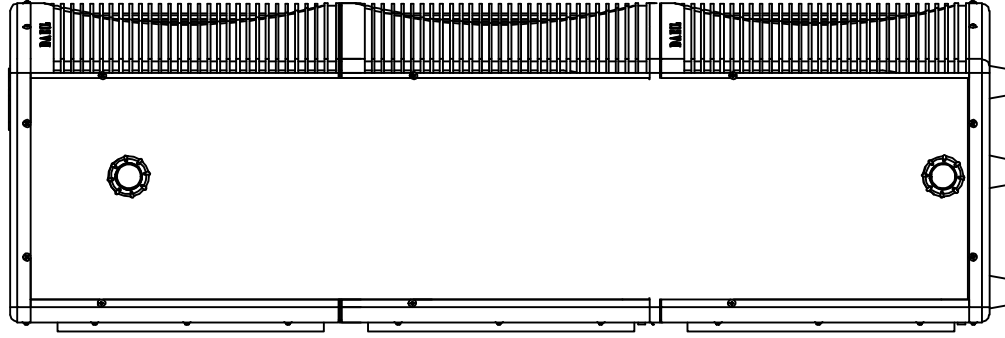
www.daeilcooler.com



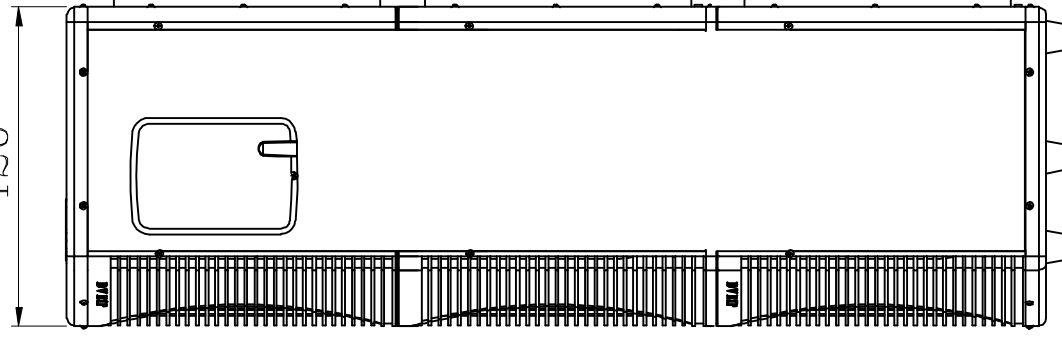
670



1400



420



Sign	Modified Item	Date	Name
	SEA WATER CHILLER OUTLINE		
Title	DA-4000/5000		
Name of Drawing	1 : 1	Req. Q'ty	DWG. NO
Scale	Designed by	Drawn by	Checked by
Name			Approved by
Date			